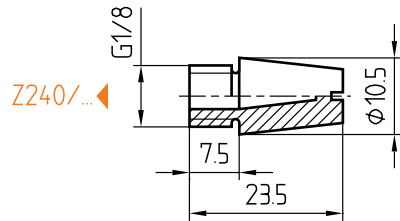
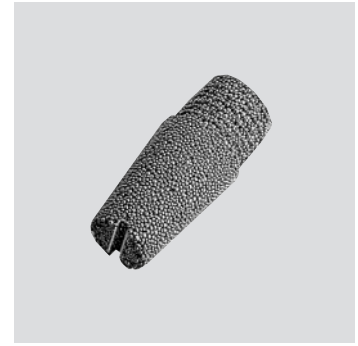


Z2416/...

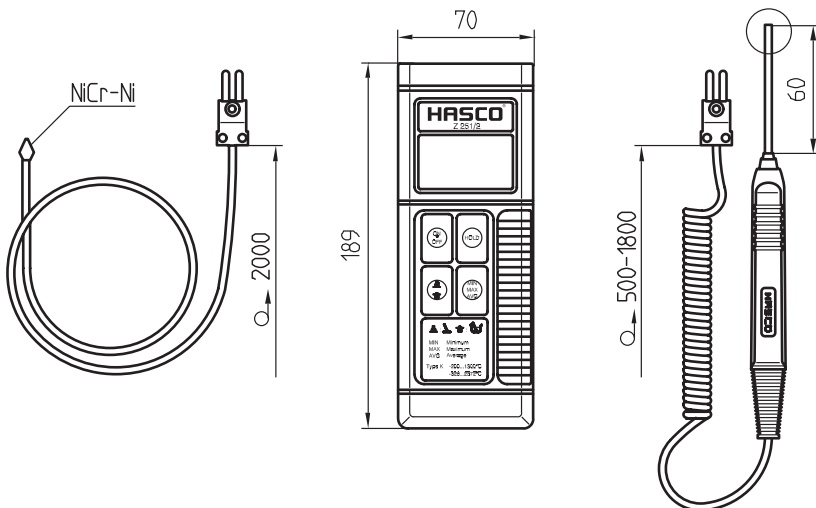
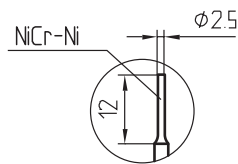
Mat.: 2.0230 (CuZn 10)



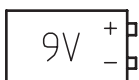
Nr./No.
Z2416/R1/8

Z251/2

⚡ = NiCr-Ni



▶ Info



Neu / New / Nouveau

Nr./No.
Z251/2

This is trial version
www.adultpdf.com